

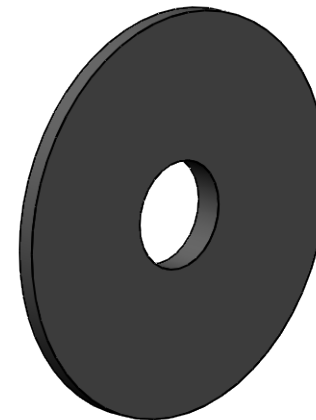
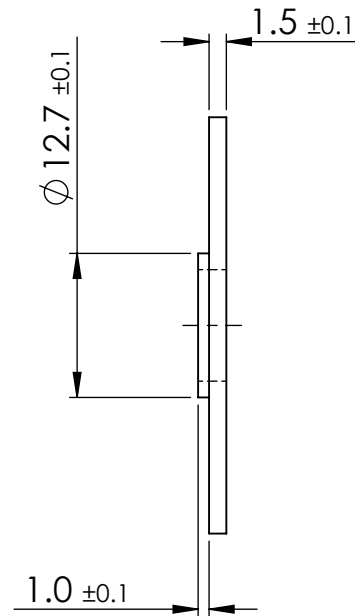
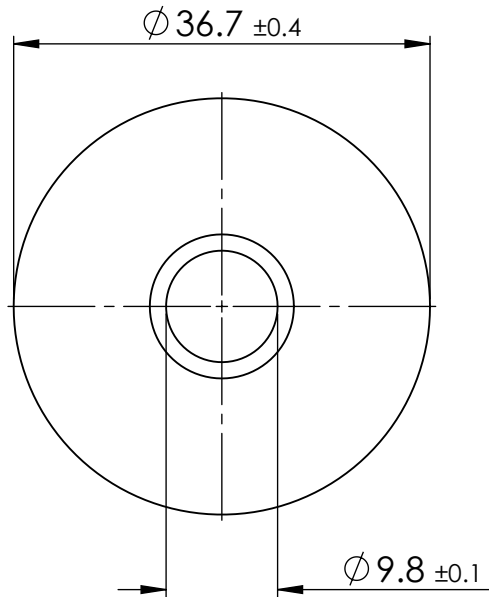
© 2013 Essentra Components. All rights reserved.  
 Registered in England, Company No. 547495.  
 Registered Office: Essentra plc  
 Langford Locks, Kidlington, Oxford, OX5 1HX

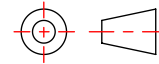
Condition of Sale can be found on our website: [essentra.com](http://essentra.com).

Essentra Components does not warrant that the files will be error free and may create new versions ("Upgrades") at any time, which may correct such errors. Essentra Components has no obligation to notify you of such upgrades. Any upgraded file will be published to the website, when it becomes available.

You are not permitted to load any of the files on to a network server for the purposes of distribution to one or more other computer(s) on that network or to effect such distribution. Essentra Components shall not be liable for any loss or damage whatsoever or however caused, arising directly or indirectly from the use of the files.

**UNCONTROLLED COPY**



STATUS		<b>APPROVED DRAWING</b>	
UNLESS OTHERWISE STATED			
ALL DIMENSIONS IN mm		DO NOT SCALE	
LINEAR TOLERANCE		THIRD ANGLE PROJECTION	
SIZE	(0) (0.0) (0.00)	 ANGULAR TOLERANCE ±0.5 DEGREES UNSPECIFIED RADII 0.25mm DRAFT ANGLE 0.5 DEGREES DIMENSIONS IN PARENTHESIS ( ) ARE FOR REFERENCE ONLY	
0-10	±0.5 ±0.15 ±0.10		
>10-30	±0.5 ±0.20 ±0.15		
>30-50	±0.5 ±0.30 ±0.20		
>50-100	±0.8 ±0.50 ±0.25		
>100-200	±1.5 ±0.80 ±0.40		
>200-300	±2.0 ±1.20 ±0.80		
>300-500	±3.0 ±2.00 ±1.00	ITEM CODE	
>500	±5.0 ±3.00 ±1.50	20466725	20/03/2025
LEGACY CODE	12SWS3037B	PA66	MATERIAL
		BLACK	COLOUR
		-	FINISH
TITLE:			
SHOULDER WASHER			
-			
DWG. No.	20466725	SCALE	ISSUE
		3:2	1
		SHEET	1 of 2

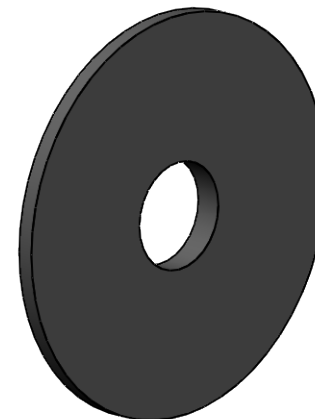
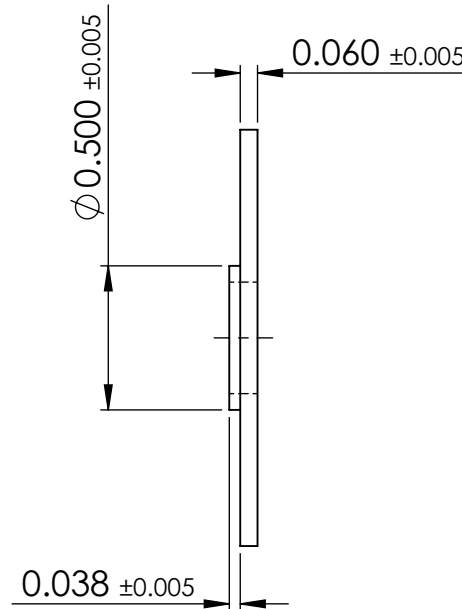
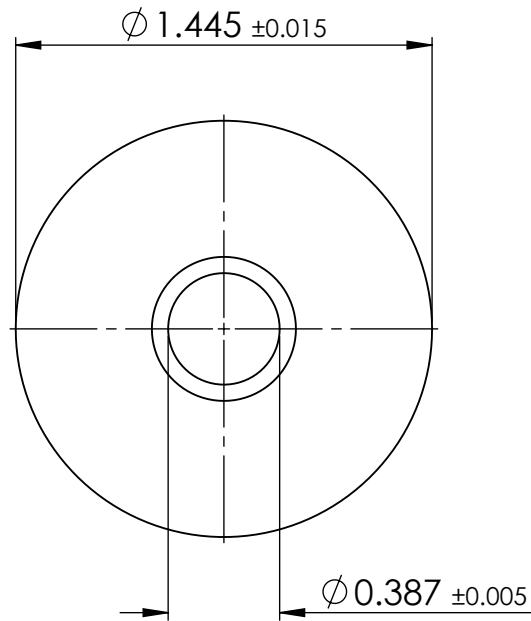
© 2013 Essentra Components. All rights reserved.  
 Registered in England, Company No. 547495.  
 Registered Office: Essentra plc  
 Langford Locks, Kidlington, Oxford, OX5 1HX

Condition of Sale can be found on our website: [essentra.com](http://essentra.com).

Essentra Components does not warrant that the files will be error free and may create new versions ("Upgrades") at any time, which may correct such errors. Essentra Components has no obligation to notify you of such upgrades. Any upgraded file will be published to the website, when it becomes available.

You are not permitted to load any of the files on to a network server for the purposes of distribution to one or more other computer(s) on that network or to effect such distribution. Essentra Components shall not be liable for any loss or damage whatsoever or however caused, arising directly or indirectly from the use of the files.

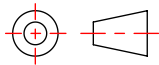
**UNCONTROLLED COPY**



STATUS **APPROVED DRAWING**

UNLESS OTHERWISE STATED

ALL DIMENSIONS IN inches DO NOT SCALE

LINEAR TOLERANCE			THIRD ANGLE PROJECTION
SIZE	(0.00)	(0.000) (0.0000)	
0 - 0.394	±0.020	±0.006 ±0.004	
>0.394 - 1.181	±0.020	±0.008 ±0.006	
>1.181 - 1.969	±0.020	±0.012 ±0.008	ANGULAR TOLERANCE ±0.5 DEGREES UNSPECIFIED RADII 0.25mm DRAFT ANGLE 0.5 DEGREES DIMENSIONS IN PARENTHESIS ( ) ARE FOR REFERENCE ONLY
>1.969 - 3.937	±0.031	±0.020 ±0.010	
>3.937 - 7.874	±0.059	±0.031 ±0.016	
>7.874 - 11.811	±0.079	±0.047 ±0.031	
>11.811 - 19.685	±0.118	±0.079 ±0.039	
>19.685	±0.197	±0.118 ±0.059	

ITEM CODE	20466725	20/03/2025	CREATE DATE
LEGACY CODE	12SWS3037B	PA66	MATERIAL
		BLACK	COLOUR
		-	FINISH

TITLE:  
**SHOULDER WASHER**  
 -

DWG. No.	20466725	SCALE	ISSUE
		3:2	1
		SHEET	2 of 2